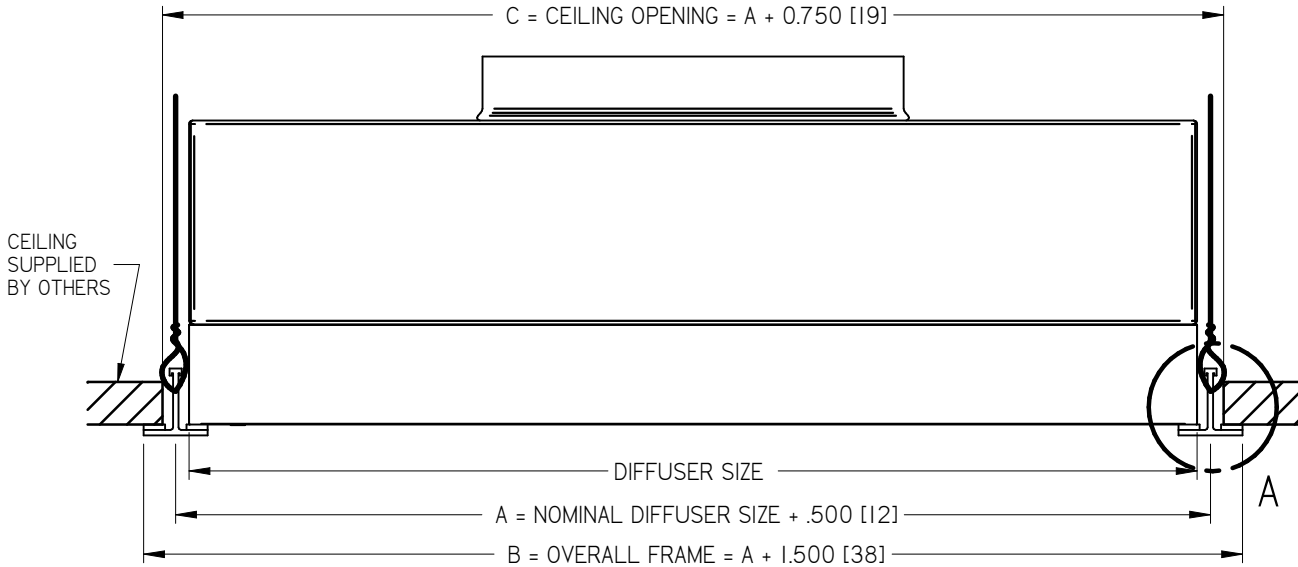
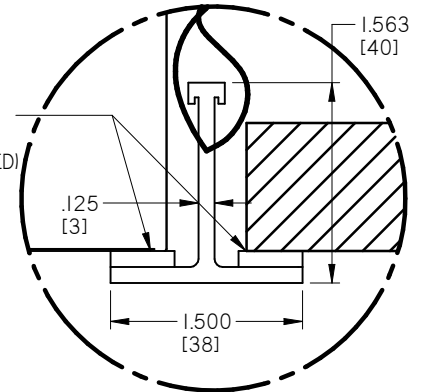


**HGMF - HOSPITAL GRADE MOUNTING FRAME
ALUMINUM**



DIMENSIONAL DATA			
NOM. SIZE	A	B	C
12 x 48	12.500 x 48.500	14.000 x 50.000	13.250 x 49.250
24 x 24	24.500 x 24.500	26.000 x 26.000	25.250 x 25.250
24 x 36	24.500 x 36.500	26.000 x 38.000	25.250 x 37.250
24 x 42	24.500 x 42.500	26.000 x 44.000	25.250 x 43.250
24 x 48	24.500 x 48.500	26.000 x 50.000	25.250 x 49.250
24 x 60	24.500 x 60.500	26.000 x 62.000	25.250 x 61.250
24 x 72	24.500 x 72.500	26.000 x 74.000	25.250 x 73.250
600 x 600 mm	612 mm x 612 mm	650 mm x 650 mm	631 mm x 631 mm
600 x 900 mm	612 mm x 912 mm	650 mm x 950 mm	631 mm x 931 mm
600 x 1200 mm	612 mm x 1212 mm	650 mm x 1250 mm	631 mm x 1231 mm
600 x 1500 mm	612 mm x 1512 mm	650 mm x 1550 mm	631 mm x 1531 mm
600 x 1800 mm	612 mm x 1812 mm	650 mm x 1850 mm	631 mm x 1831 mm

REFERENCE APPROPRIATE DIFFUSER
SUBMITTAL FOR ACTUAL DIFFUSER SIZE



DETAIL A

STANDARD CONSTRUCTION:

- HEAVY DUTY, EXTRUDED HEAVY ALUMINUM TEES WITH POLYETHYLENE GASKET (FACTORY APPLIED)
- TEES FACTORY PRE PUNCHED EVERY 6" ON CENTER FOR HANGER WIRES (SUPPLIED BY OTHERS)
- FACTORY WELDED CORNERS; SHIPS IN SINGLE FACTORY WELDED FRAME ASSEMBLY

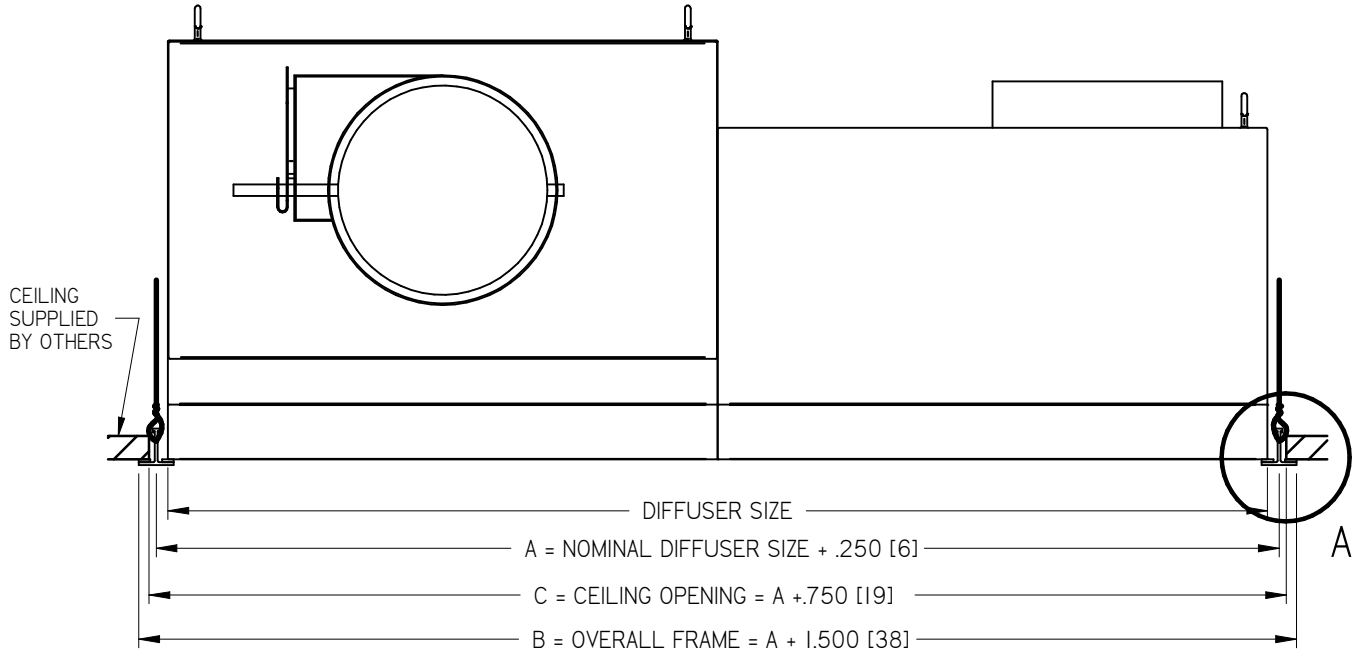
FINISH OPTIONS:

- B12 STANDARD WHITE
- B11 BRIGHT WHITE
- B18 SILVER
- B25 CUSTOM MATCHED COLOR
- AC ANODIZED CLEAR

ALL METRIC DIMENSIONS () ARE SOFT CONVERTED. IMPERIAL DIMENSIONS ARE CONVERTED TO METRIC AND ROUNDED TO THE NEAREST MILLIMETER.

PROJECT:		 KC HGMF HOSPITAL GRADE MOUNTING FRAME
ENGINEER:		
CUSTOMER:		
SUBMITTAL DATE:		
SPEC. SYMBOL:		271137
		NOV 2021

**HGMF - HOSPITAL GRADE MOUNTING FRAME
ALUMINUM
CARES-1-X**



DIMENSIONAL DATA			
NOM. SIZE	A	B	C
48 x 48	48.250 x 48.250	49.750 x 49.750	49.000 x 49.000

REFERENCE APPROPRIATE DIFFUSER SUBMITTAL FOR ACTUAL DIFFUSER SIZE

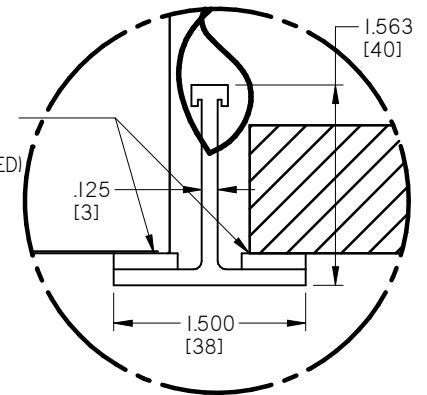
STANDARD CONSTRUCTION:

- HEAVY DUTY, EXTRUDED HEAVY ALUMINUM TEES WITH POLYETHYLENE GASKET (FACTORY APPLIED)
- TEES FACTORY PRE PUNCHED EVERY 6" ON CENTER FOR HANGER WIRES (SUPPLIED BY OTHERS)
- FACTORY WELDED CORNERS; SHIPS IN SINGLE FACTORY WELDED FRAME ASSEMBLY

FINISH OPTIONS:

- B12 STANDARD WHITE
- B11 BRIGHT WHITE
- B18 SILVER
- B25 CUSTOM MATCHED COLOR
- AC ANODIZED CLEAR

CLOSED CELL POLYETHYLENE GASKET (.125" x .500" UNCOMPRESSED)

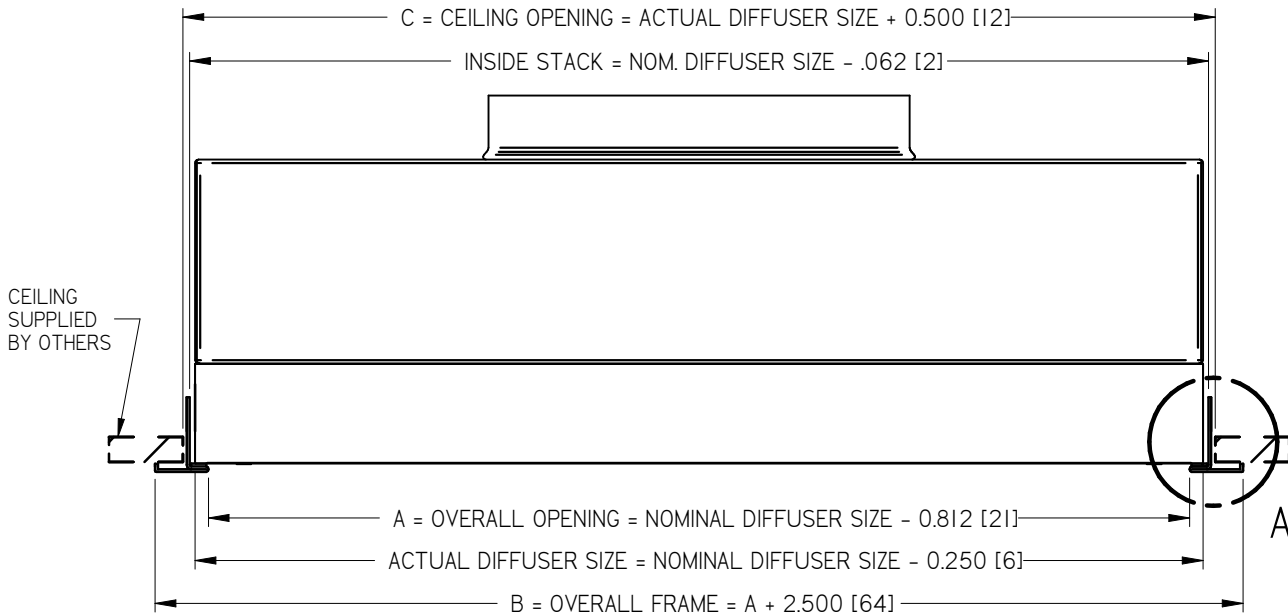


DETAIL A

ALL METRIC DIMENSIONS () ARE SOFT CONVERTED. IMPERIAL DIMENSIONS ARE CONVERTED TO METRIC AND ROUNDED TO THE NEAREST MILLIMETER.

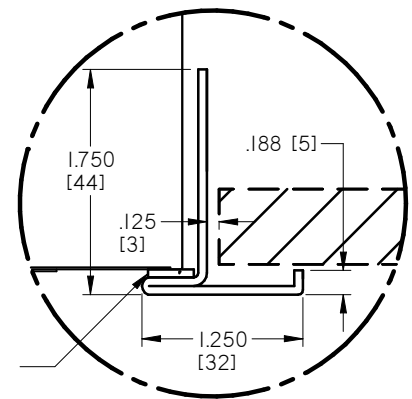
PROJECT:		PRICE	
ENGINEER:		<i>KC</i>	HGMF HOSPITAL GRADE MOUNTING FRAME
CUSTOMER:			
SUBMITTAL DATE:	SPEC. SYMBOL:	NOV 2021	

**HGMF - HOSPITAL GRADE MOUNTING FRAME
STAINLESS STEEL
AMDC/FRFDC/FFU/FFUSS/LFDC/LFDCSS/RFD/RFDC/RVDC**



DIMENSIONAL DATA			
NOM. SIZE	A	B	C
12 x 48	11.188 x 47.188	13.688 x 49.688	12.250 x 48.250
24 x 24	23.188 x 23.188	25.688 x 25.688	24.250 x 24.250
24 x 36	23.188 x 35.188	25.688 x 37.688	24.250 x 36.250
24 x 42	23.188 x 41.188	25.688 x 43.688	24.250 x 42.250
24 x 48	23.188 x 47.188	25.688 x 49.688	24.250 x 48.250
600 x 600 mm	589 mm x 589 mm	652 mm x 652 mm	615 mm x 615 mm
600 x 900 mm	589 mm x 894 mm	652 mm x 957 mm	615 mm x 920 mm
600 x 1200 mm	589 mm x 1198 mm	652 mm x 1262 mm	615 mm x 1225 mm

REFERENCE APPROPRIATE DIFFUSER SUBMITTAL FOR ACTUAL DIFFUSER SIZE



CLOSED CELL POLYETHYLENE GASKET (.125" x .250" UNCOMPRESSED)

DETAIL A

STANDARD CONSTRUCTION:
- 304 STAINLESS STEEL MATERIAL
- FACTORY INSTALLED CORNER BRACKETS

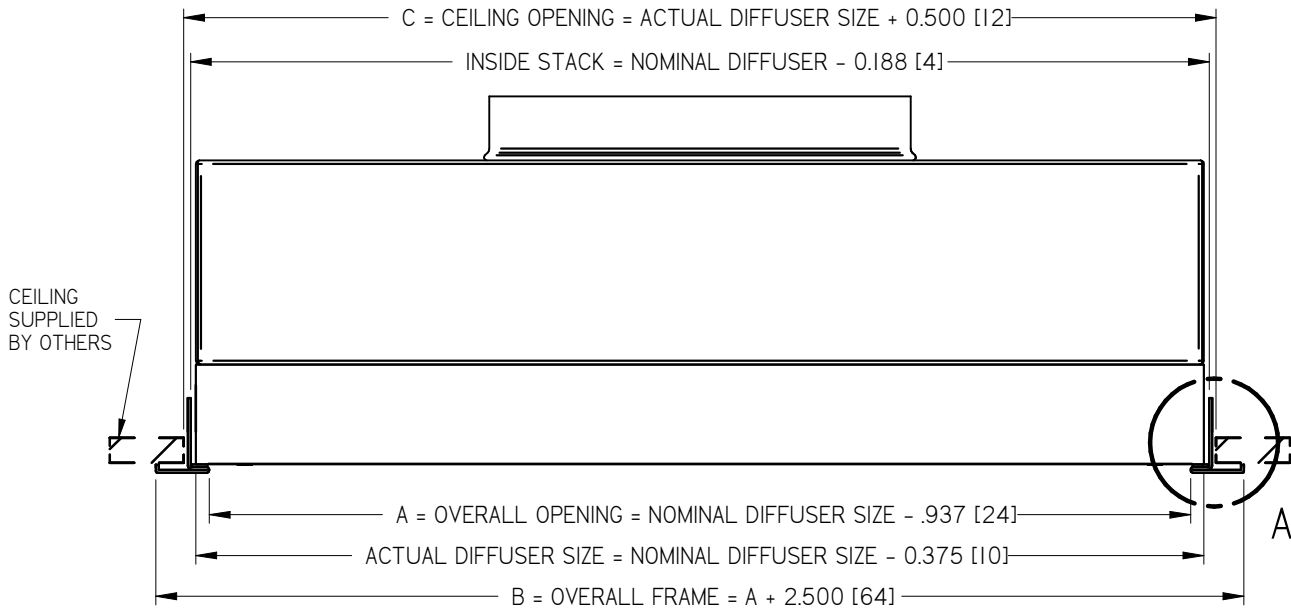
FINISH:
- #4 BRUSHED STAINLESS STEEL

NOTE:
STAINLESS STEEL DIFFUSER OR FAN FILTER UNIT (FFU) TO BE HUNG INDEPENDENTLY FROM HGMF

ALL METRIC DIMENSIONS () ARE SOFT CONVERTED. IMPERIAL DIMENSIONS ARE CONVERTED TO METRIC AND ROUNDED TO THE NEAREST MILLIMETER.

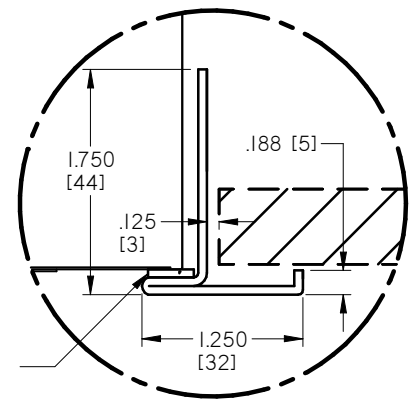
PROJECT:		PRICE	
ENGINEER:		<i>KC</i>	HGMF HOSPITAL GRADE MOUNTING FRAME
CUSTOMER:			
SUBMITTAL DATE:	SPEC. SYMBOL:	NOV 2021	

**HGMF - HOSPITAL GRADE MOUNTING FRAME
STAINLESS STEEL
LFDC-1-X/FFU-HE/FFU-X-X/UFFU-X-X/RFD-1-X/RFDC-1-X**



DIMENSIONAL DATA			
NOM. SIZE	A	B	C
12 x 48	11.063 x 47.063	13.563 x 49.563	12.125 x 48.125
24 x 24	23.063 x 23.063	25.563 x 25.563	24.125 x 24.125
24 x 36	23.063 x 35.063	25.563 x 37.563	24.125 x 36.125
24 x 42	23.063 x 41.063	25.563 x 43.563	24.125 x 42.125
24 x 48	23.063 x 47.063	25.563 x 49.563	24.125 x 48.125
600 x 600 mm	585 mm x 585 mm	649 mm x 649 mm	612 mm x 612 mm
600 x 900 mm	585 mm x 890 mm	649 mm x 954 mm	612 mm x 917 mm
600 x 1200 mm	585 mm x 1195 mm	649 mm x 1258 mm	612 mm x 1222 mm

REFERENCE APPROPRIATE DIFFUSER SUBMITTAL FOR ACTUAL DIFFUSER SIZE



CLOSED CELL POLYETHYLENE GASKET (.125" x .250" UNCOMPRESSED)

DETAIL A

STANDARD CONSTRUCTION:

- 304 STAINLESS STEEL MATERIAL
- FACTORY INSTALLED CORNER BRACKETS

FINISH:

- #4 BRUSHED STAINLESS STEEL

NOTE:

STAINLESS STEEL DIFFUSER OR FAN FILTER UNIT (FFU) TO BE HUNG INDEPENDENTLY FROM HGMF

ALL METRIC DIMENSIONS () ARE SOFT CONVERTED. IMPERIAL DIMENSIONS ARE CONVERTED TO METRIC AND ROUNDED TO THE NEAREST MILLIMETER.

PROJECT:		PRICE	
ENGINEER:		<i>KC</i>	HGMF HOSPITAL GRADE MOUNTING FRAME
CUSTOMER:			
SUBMITTAL DATE:	SPEC. SYMBOL:	NOV 2021	